

Understanding and Specifying Leap 464 Series WorkLounge Work Chairs

Understanding Leap 464 Series WorkLounge

Details	34
Dimensions	38

Specifying Leap 464 Series WorkLounge

WorkLounge and Ottoman	40
------------------------	----

Work Chairs

Highly adjustable task seating offers maximum personalization for people who sit most of the day performing repetitive tasks. By making a series of simple adjustments, you can customize the chair to your body, preferences, and tasks. These chairs provide continuous, stable, task-oriented comfort, and can be quickly adjusted to support you in upright, forward, and reclining work postures.

- Leap 462 Series
- Leap 464 Series WorkLounge
- Siento 499 Series
- Criterion 453 Series
- Think 465 Series
- Drive 461 Series
- Jersey Series
- Sensor 458 Series

Adjustability Features

▶ See page 11 for a comparison to other chairs.

Leap 464 Series

Mechanisms

Natural glide	●
---------------	---

Seat Adjustments

Pneumatic height	●
------------------	---

Back Adjustments

Lower back firmness	●
---------------------	---

Upper back tension	●
--------------------	---

Variable back stop	●
--------------------	---

Headrest with flip-up pillow	●
------------------------------	---

Leap 464 Series WorkLounge

WorkLounge—a chair designed especially for people who like to work in a deep, reclined posture.

Headrest and flip-up pillow provide neck and head support.

Live back moves with the shape of the user's spine as sitting positions change.

Fixed arms have extra padding to provide forearm support and comfort.

Outer back is fully upholstered.

Ribbon backframe is standard.

Lower back firmness changes the amount of firmness user feels in lower back. Requires only two complete turns.

Lumbar pillow provides extra comfort and support to the lumbar region.

Extra thick seat cushion provides extra comfort.

Upper back force requires only five complete turns and accommodates a broader range of users by allowing user to change the rate of increase in force as the user reclines.

Five-arm base is standard with glides. 3" hard or soft casters are available as options.

Variable back stop with five positions is standard.

Polished aluminum is standard on ribbon backframe, arm supports, base, and casters.

Seat height adjusts within a 3" range with a pneumatic adjustment mechanism.

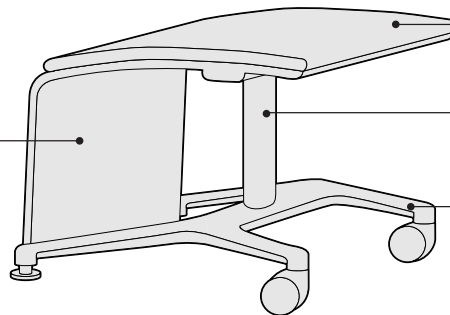
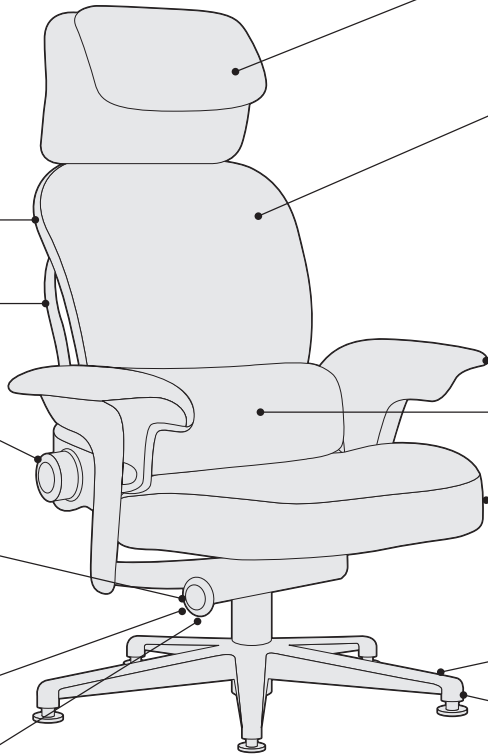
Ottoman quickly and easily converts from a footrest to an auxiliary work table.

Footrest is cushioned and upholstered. Footrest surface is 15"H from the floor.

Work table, with top up, is 25"H from the floor.

Polished aluminum is standard on post and four-arm base.

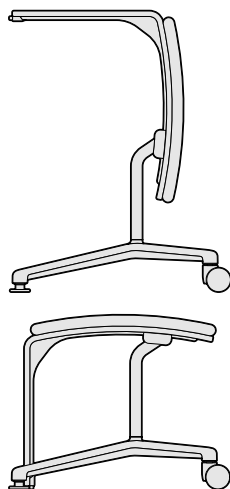
Four-arm base is standard with two glides and two hard, dual-wheel casters.



Product Details

Adjustability instructions are included with every chair and ottoman.

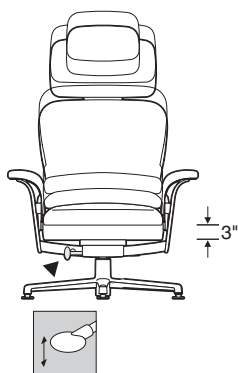
Controls under the seat include tactile braille designators.



Ottoman easily converts between two positions. With the top up, it is a work table; with the top down it is a footrest. Locking pivot mechanism holds each position in place.

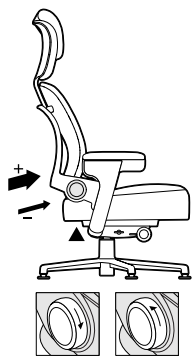
Adjustment Features

Seat Adjustments

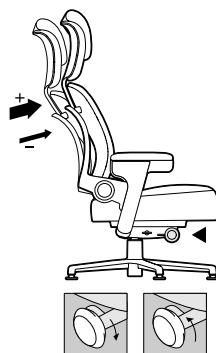


Seat height adjusts pneumatically. To lower, hold handle up while seated. To raise, hold handle up and keep your weight off the chair. This feature is standard. Range of adjustability is 3" from 15"H–18"H with standard glides and 17"H–20"H with optional casters.

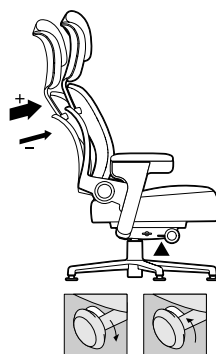
Back Adjustments



Lower back firmness adjusts by turning knob two complete turns. Forward increases firmness. Backward decreases firmness. This feature is standard.

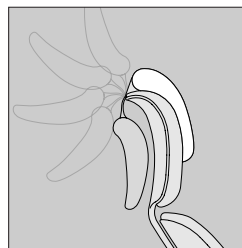


Upper back force adjusts by turning knob five complete turns. Turn knob forward to increase rate of tension; backward to decrease. This feature is standard.

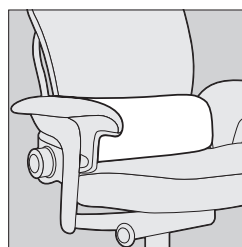


Variable back stop. Rotate handle up or down to set recline angle. Lean back to desired back angle. Five stops are available. This feature is standard.
Tip: To stop in upright position, remove weight from back and rotate lever up.

Other Features



Flip-up pillow can be positioned for use on headrest or placed over the backside of headrest when not in use. This feature is standard.



Lumbar pillow is positioned to provide comfort and support to the lumbar region.

Glides are standard.

Casters are optional. 3" polished aluminum hard- or soft-wheel casters are available.

Surface Materials

► See surface materials on page 248 for specific availability or refer to the *Surface Materials Reference Manual* for further information.

Upholstery

- Designtex Wool Suede Too
- Elmo Rustical Leather

Hard components

(Seat shell, glides, and casters)

- 6205 Black

Polished aluminum

is standard on chair and ottoman. Polished aluminum is applied to ribbon backframe, arm supports, base, and casters of chair. Ottoman has polished aluminum on post and base.

Programs & Services

► See the *Surface Materials Reference Manual* for further detail about programs and services offered for seating.

The Customer's Own Material (COM & COL) Program

offers the opportunity for customers to select fabrics and leather that are not offered through the standard Steelcase surface materials program for use on Steelcase products. Avoid pattern fabrics and heavily grained leathers. Through the COM & COL program, Steelcase will test your materials for application on Steelcase products. Once approved, you can place your order. Steelcase will facilitate the entire ordering process and give you a production schedule. Steelcase will order the COM & COL fabric and leather directly from the textile manufacturer. For up-to-date information regarding fabric test results for all COM & COL fabrics and details regarding yardage requirements for most Seating lines, visit the COM Web site. To locate the COM Web site:

- Visit www.steelcase.com
- Click on "Knowledge & Design"
- Select "Customer's Own Material"

Dimensions

- ▶ Page 38

Resources

Printed Materials

- ▶ Leap WorkLounge and Ottoman Brochure (S11526)
- ▶ Leap WorkLounge Hangtag (LP-00052)
- ▶ Leap WorkLounge Ottoman Hangtag (LP-00054)
- ▶ Leap Brochure (05-0002313)
- ▶ Why Leap (S11014)
- ▶ Leap Overview Positioning Piece (S11016)
- ▶ Leap White Paper Packets (S11019)
- ▶ Leap Quick Reference Pocket Card (S11042)
- ▶ Leap User Guide (S11236)
- ▶ Seating Overview (06-0000890)

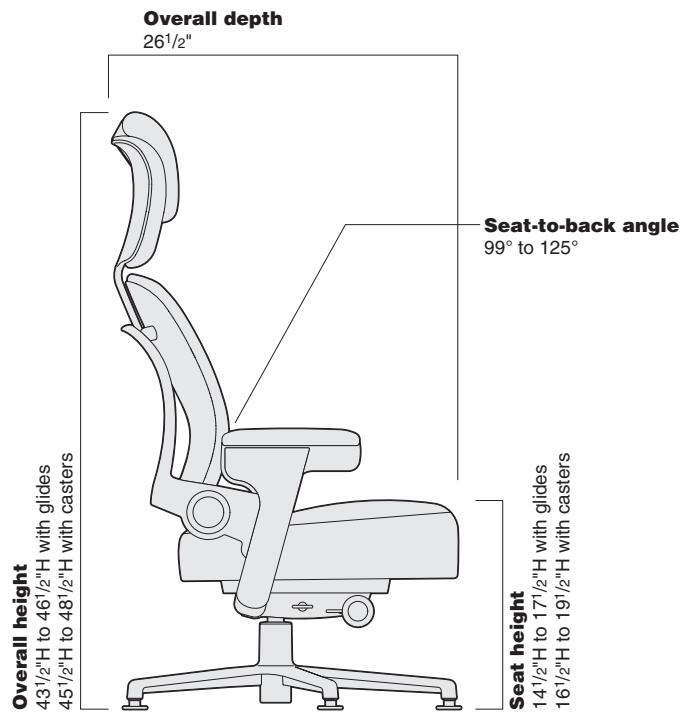
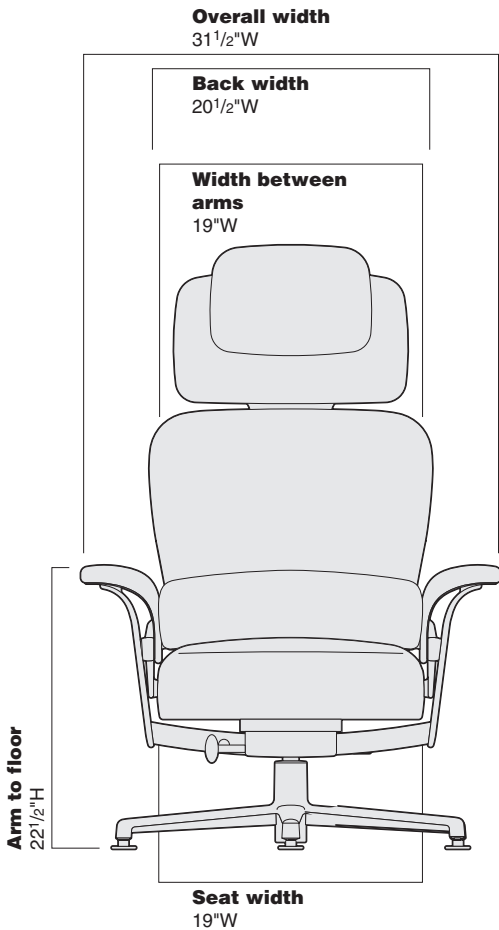
Computer Tools

- ▶ Electronic User Disk (S2305)—Windows
- ▶ Leap CD-ROM (S11015)
- ▶ www.steelcase.com

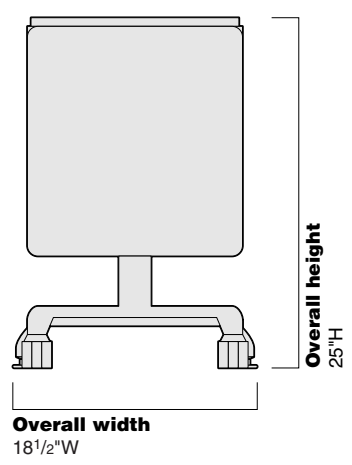
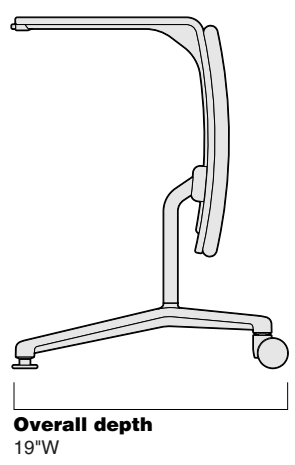
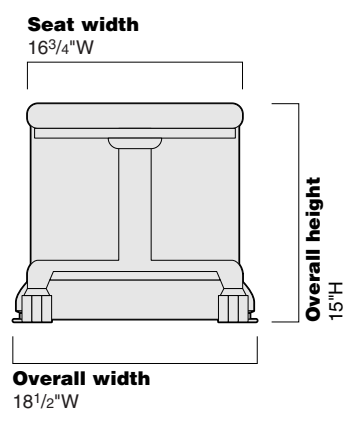
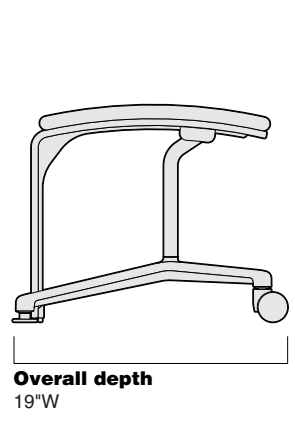
Dimensions

Leap 464 Series

	Overall Depth	Width	Height	Seat Depth	Functional Seat Depth	Seat Width	Seat Height from Floor	Back Width	Back Height from Seat
Leap 464 Series									
WorkLounge									
	26 1/2"	31 1/2"	43 1/2" to 46 1/2" with glides 45 1/2" to 48 1/2" with casters	20 1/2"	18 1/2"	19"	14 1/2" to 17 1/2" with glides 16 1/2" to 19 1/2" with casters	20 1/2"	30"
Ottoman									
	19"	18 1/2"	15"	N.A.	N.A.	16 3/4"	15"	N.A.	N.A.



Lumbar Flex Zone	Width Between Arms	Arm to Floor	Arm Height from Seat	Angle Between Seat and Back	Table Height from Floor
WorkLounge					
5¼" to 10¼"	19"	22½"	7¼"	99°–125°	N.A.
Ottoman					
N.A.	N.A.	N.A.	N.A.	N.A.	25"



Leap 464 Series WorkLounge and Ottoman

Leap 464 Series WorkLounge

Ribbon Backframe



Standard Includes	Required to Specify
<ul style="list-style-type: none"> ▶ Need help? Product details, page 34 • Fully upholstered back, seat, arms, headrest, and flip-up pillow: Designtex Wool Suede Too • Upper back force • Variable back stop • Lower back firmness • Lumbar pillow • Fixed, non-adjustable arms • 3" pneumatic seat-height adjustment • Seat and back components: black plastic only • Ribbon backframe, arm supports and five-arm base: polished aluminum only • Glides: black with stainless steel inserts. 	<ul style="list-style-type: none"> 1 Style number 2 Fabric color number for upholstery on back, seat, arms, headrest, and flip-up pillow 3 Options, if selected (see below) ▶ See <i>Surface Materials</i>, page 248.

Options	U.S. Price	Required to Specify
Surface Materials <ul style="list-style-type: none"> • Designtex Wool Suede Too • Elmo Rustical leather • Customer's Own Material (COM) • Customer's Own Leather (COL) 	<ul style="list-style-type: none"> No cost +\$550 +\$ 30 +\$ 30 	<ul style="list-style-type: none"> Specify <i>with 59DG</i> and fabric color number. ▶ See <i>Surface Materials</i>, page 248. Specify <i>with 59DK</i> and leather color number. ▶ See <i>Surface Materials</i>, page 248. ▶ See <i>Surface Materials Reference Manual</i> to specify. ▶ See <i>Surface Materials Reference Manual</i> to specify.
Casters <ul style="list-style-type: none"> • 3" hard-composition, dual-wheel casters for use on carpet: polished aluminum and black • 3" soft, dual-wheel casters for use on hard floors: polished aluminum and black 	<ul style="list-style-type: none"> +\$ 57 +\$ 57 	<ul style="list-style-type: none"> Specify <i>with hard casters</i>. Specify <i>with soft casters</i>.

Specification Information	
Style Number	U.S. Base Price
464LOUNGE	\$2432

▶ Detailed dimensions, page 38

US

For **164** U.S., multiply all **162** U.S. prices by 1.03.
 Multiply **164** U.S. by 1.2 for **138** Canadian price.
 ▶ See page 1 for details.

Leap 464 Series Ottoman



Standard Includes		Required to Specify
<ul style="list-style-type: none"> ▶ Need help? Product details, page 34 	<ul style="list-style-type: none"> • Upholstery on footrest: Designtex Wool Suede Too • Work table and footrest shell: black plastic only • Post and four-arm base: polished aluminum • Two glides: black with stainless steel inserts • Two 2"-diameter, hard-composition, dual-wheel casters: black 	<ul style="list-style-type: none"> 1 Style number 2 Fabric color number for upholstery on footrest 3 Options, if selected (see below) ▶ See <i>Surface Materials</i>, page 248.

Options	U.S. Price	Required to Specify
<ul style="list-style-type: none"> • Designtex Wool Suede Too 	No cost	Specify with 59DG and fabric color number.
<ul style="list-style-type: none"> • Elmo Rustical leather 	+\$125	▶ See <i>Surface Materials</i> , page 248. Specify with 59DK and leather color number.
<ul style="list-style-type: none"> • Customer's Own Material (COM) 	+\$ 30	▶ See <i>Surface Materials</i> , page 248.
<ul style="list-style-type: none"> • Customer's Own Leather (COL) 	+\$ 30	▶ See <i>Surface Materials Reference Manual</i> to specify. ▶ See <i>Surface Materials Reference Manual</i> to specify.

Specification Information

Style Number	U.S. Base Price
464OTTOMAN	\$725

Leap 464 Series

▶ Detailed dimensions, page 38

US 

For **164** U.S., multiply all **162** U.S. prices by 1.03.
Multiply **164** U.S. by 1.2 for **138** Canadian price.
▶ See page 1 for details.